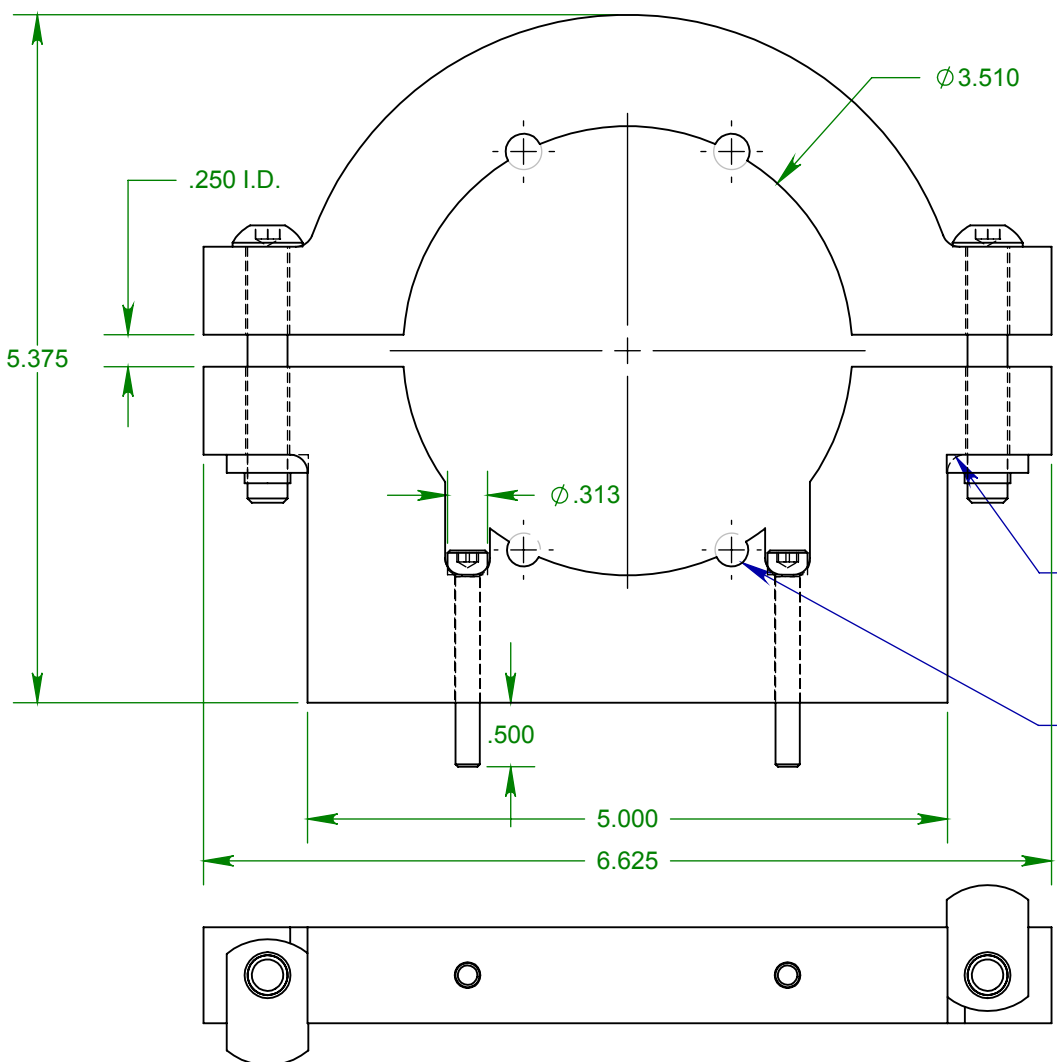
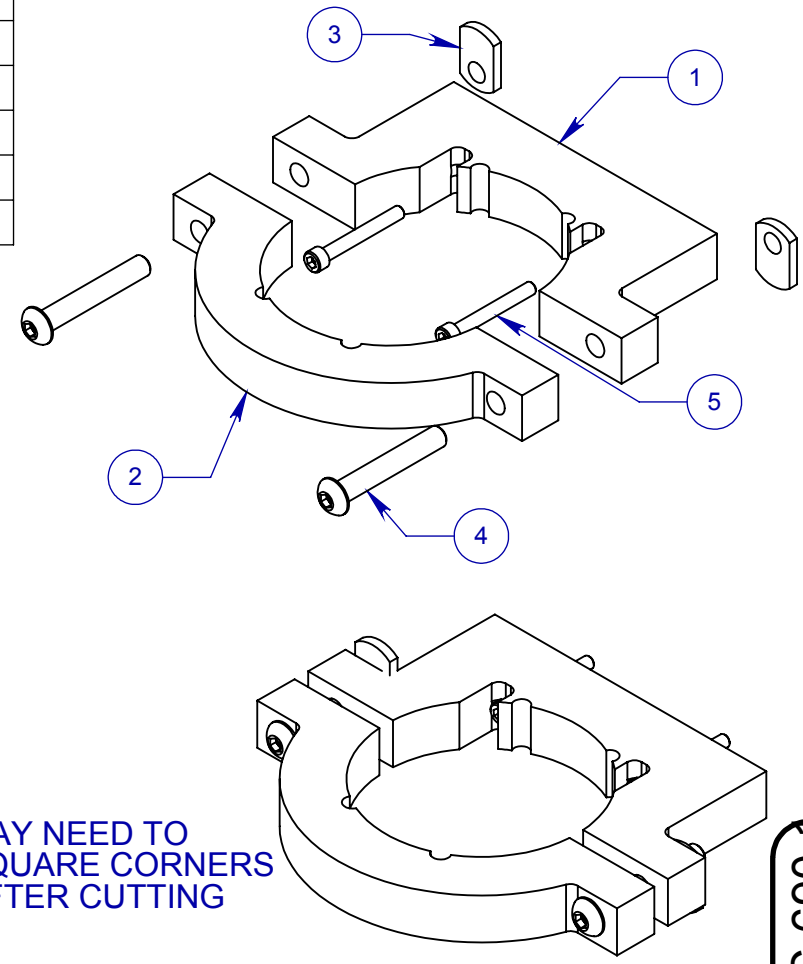


ITEM NO.	REV	PART NUMBER	DESCRIPTION	MATERIAL	1/QTY.
1	A	RMPC-690-01P	REAR MOUNT	3/4" MDF OR HDPE	1
2		RMPC-690-02P	FRONT MOUNT	3/4" MDF OR HDPE	1
3		8020-3278	80/20 ECONOMY T-NUT		2
4		.3125-18x2 BHCS	5/16-18 x 2" Button Head Cap Screw		2
5		10-32x1.5 SHCS	10-32 x 1 1/2 Socket Head Cap Screw		2



MAY NEED TO SQUARE CORNERS AFTER CUTTING

PC-690 CLEARANCE NOTCHES

Print Date: 5/23/2011

Rev A:
Routed out notches for socket head cap screws instead of counterboring them

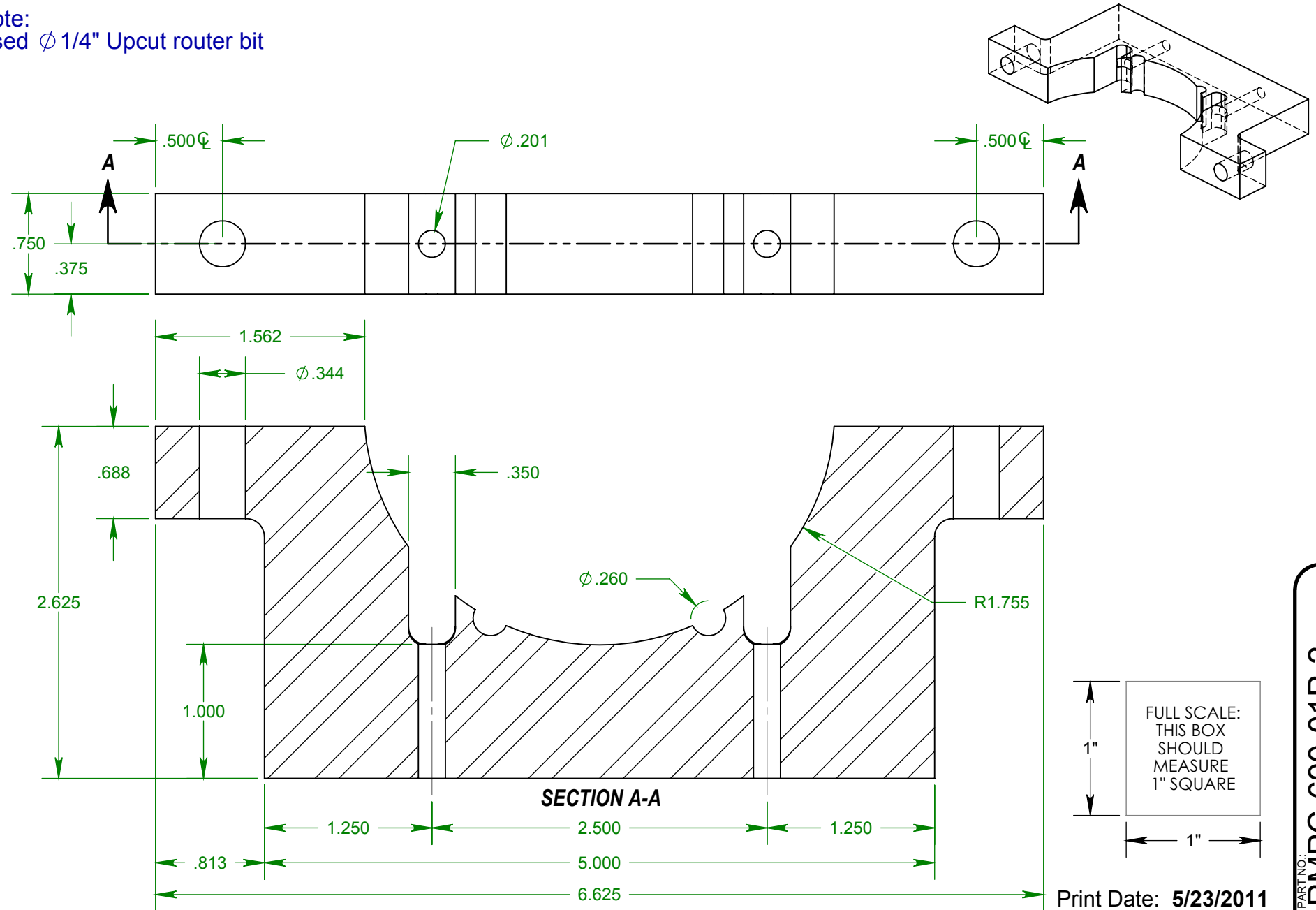
DRAWN BY: P.F. DATE: 5/13/2011
TOLERANCE: FRACTIONAL $\pm 1/32"$ DECIMAL $\pm .015$ ANGULAR $\pm 1^\circ$

CAD Drawing by Paul Flores is licensed under a Creative Commons Attribution 3.0 Unported License. Based on a work at paul-flores.com. Permissions beyond the scope of this license may be available at www.paul-flores.com.
MATERIAL: 3/4" MDF OR HDPE
PROJECT: ROUTER MOUNT PC-690

F WWW.PAUL-FLORES.COM
DESCRIPTION: FITS PORTER CABLE PC-690

PART NO.: Router Mount PC-690-1
REV: A
SHEET: 1 of 3

Note:
Used $\phi 1/4"$ Upcut router bit



Rev A:
Routed out notches for socket
head cap screws instead of
counterboring them

DRAWN BY: P.F.
DATE: 5/13/2011
TOLERANCE:
FRACTIONAL $\pm 1/32"$
DECIMAL $\pm .015$
ANGULAR $\pm 1^\circ$

CAD Drawing by Paul Flores is licensed under a Creative Commons Attribution 3.0 Unported License. Based on a work at paul-flores.com. Permissions beyond the scope of this license may be available at www.paul-flores.com.

MATERIAL:
3/4" MDF OR HDPE

PROJECT:
ROUTER MOUNT PC-690

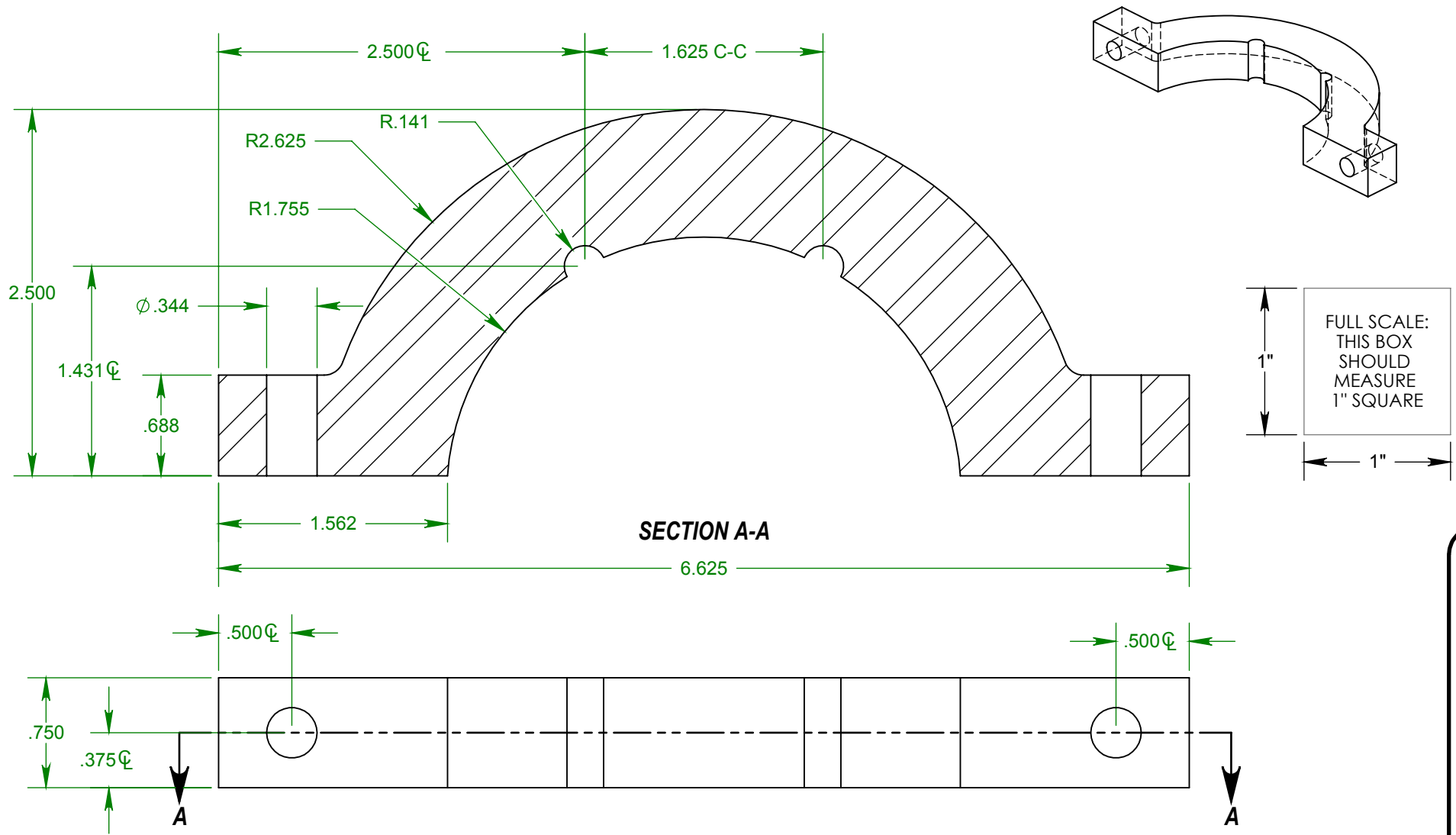
F

WWW.PAUL-FLORES.COM

DESCRIPTION:
REAR MOUNT

PART NO: RMPC-690-01P-2
REV: A
SHEET: 2 of 3

Note:
Used \varnothing 1/4" Upcut router bit



Print Date: 5/23/2011

DRAWN BY: P.F. DATE: 5/13/2011

TOLERANCE:
FRACTIONAL \pm 1/32"
DECIMAL \pm .015
ANGULAR \pm 1°

CAD Drawing by Paul Flores is licensed under a Creative Commons Attribution 3.0 Unported License. Based on a work at paul-flores.com. Permissions beyond the scope of this license may be available at www.paul-flores.com.

MATERIAL:
3/4" MDF OR HDPE

PROJECT:
ROUTER MOUNT PC-690

F **WWW.PAUL-FLORES.COM**

DESCRIPTION:
FRONT MOUNT

PART NO: **RMPC-690-02P-2**

REV:

SHEET: **3 of 3**