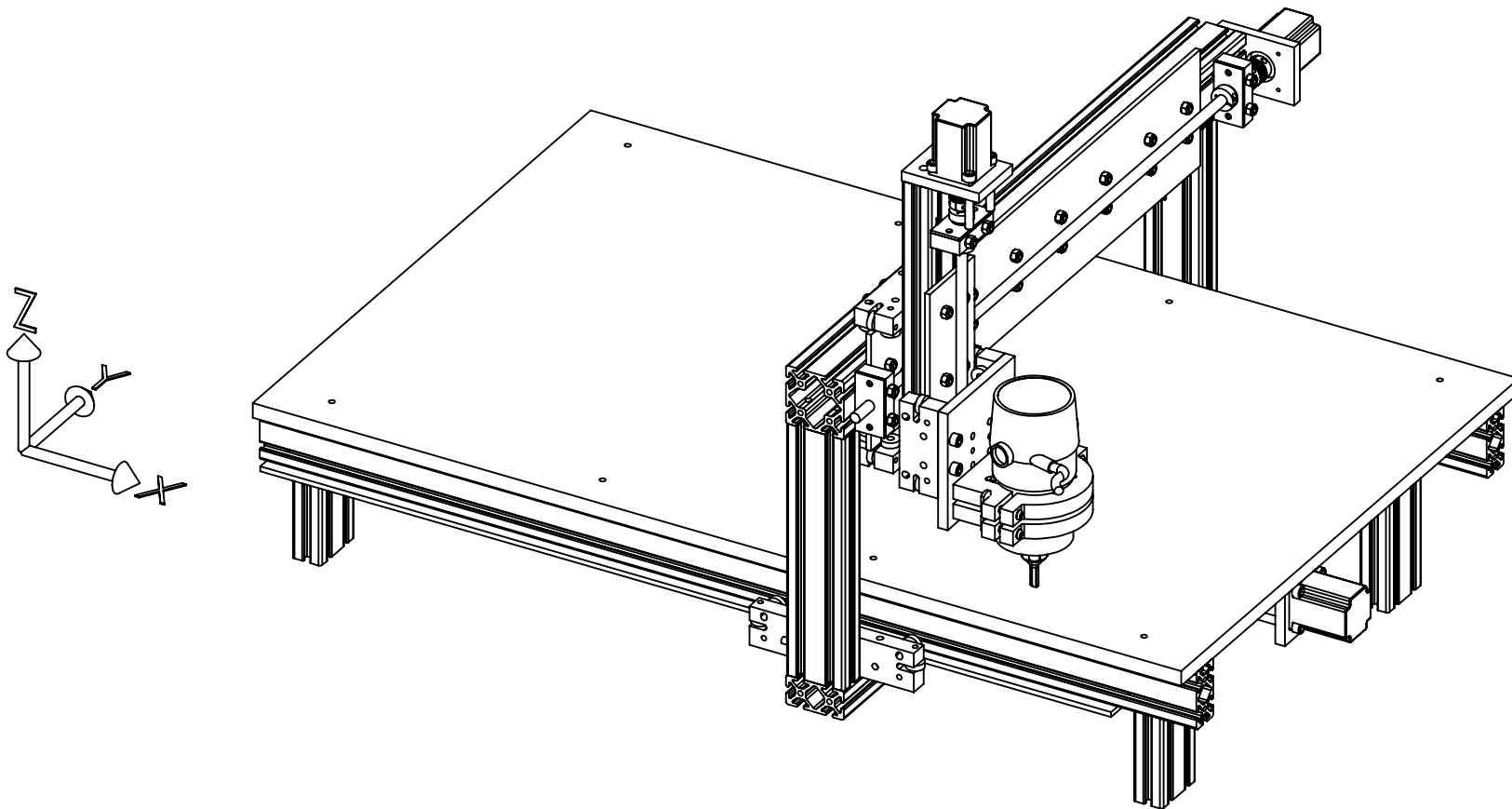



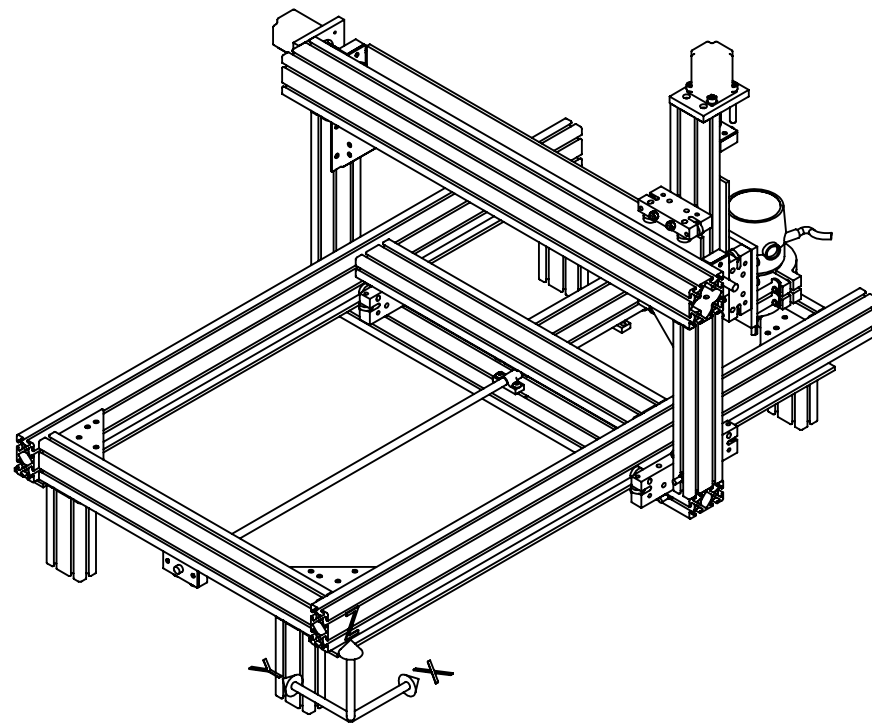
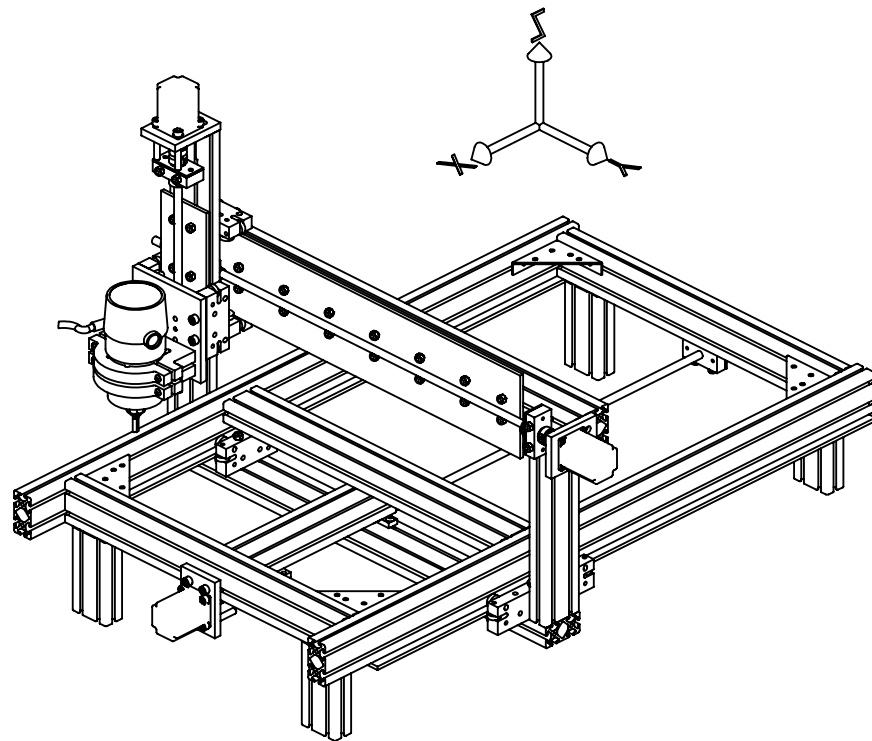
Below you will see what I labled the X, Y, and Z axis. This is how I have Mach 3 setup.



Print Date: 7/6/2011

DRAWN BY: P.F.	DATE: 12/14/2010	CAD Drawing by Paul Flores is licensed under a Creative Commons Attribution 3.0 Unported License. Based on a work at paul-flores.com. Permissions beyond the scope of this license may be available at www.paul-flores.com.	 <p><b>WWW. PAUL-FLORES.COM</b></p>
TOLERANCE: FRACTIONAL $\pm 1/32"$ DECIMAL $\pm .015$ ANGULAR $\pm 1^\circ$		MATERIAL: ---	
		PROJECT: 80/20 CNC ROUTER	DESCRIPTION: <b>ASSEMBLED FRAME</b>

PART NO.: Paulos CNC Router-1  
REV.:  
SHEET: 1 of 5



Print Date: 7/6/2011

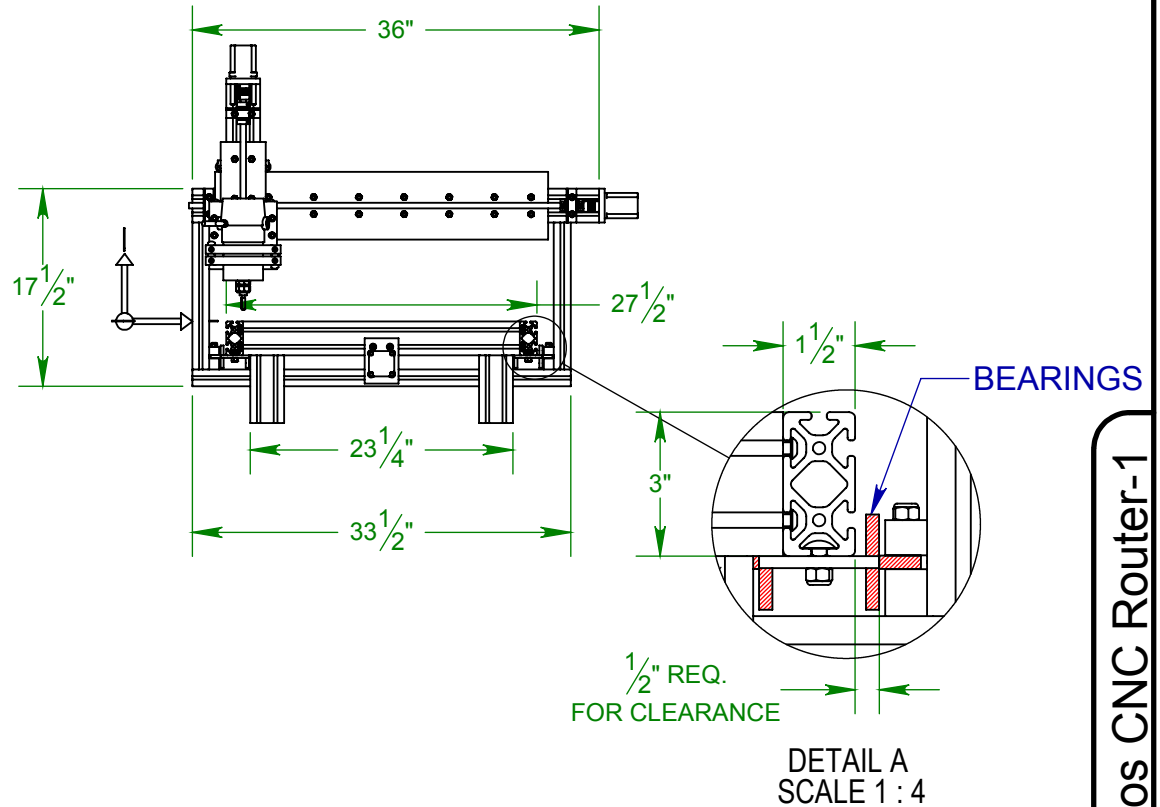
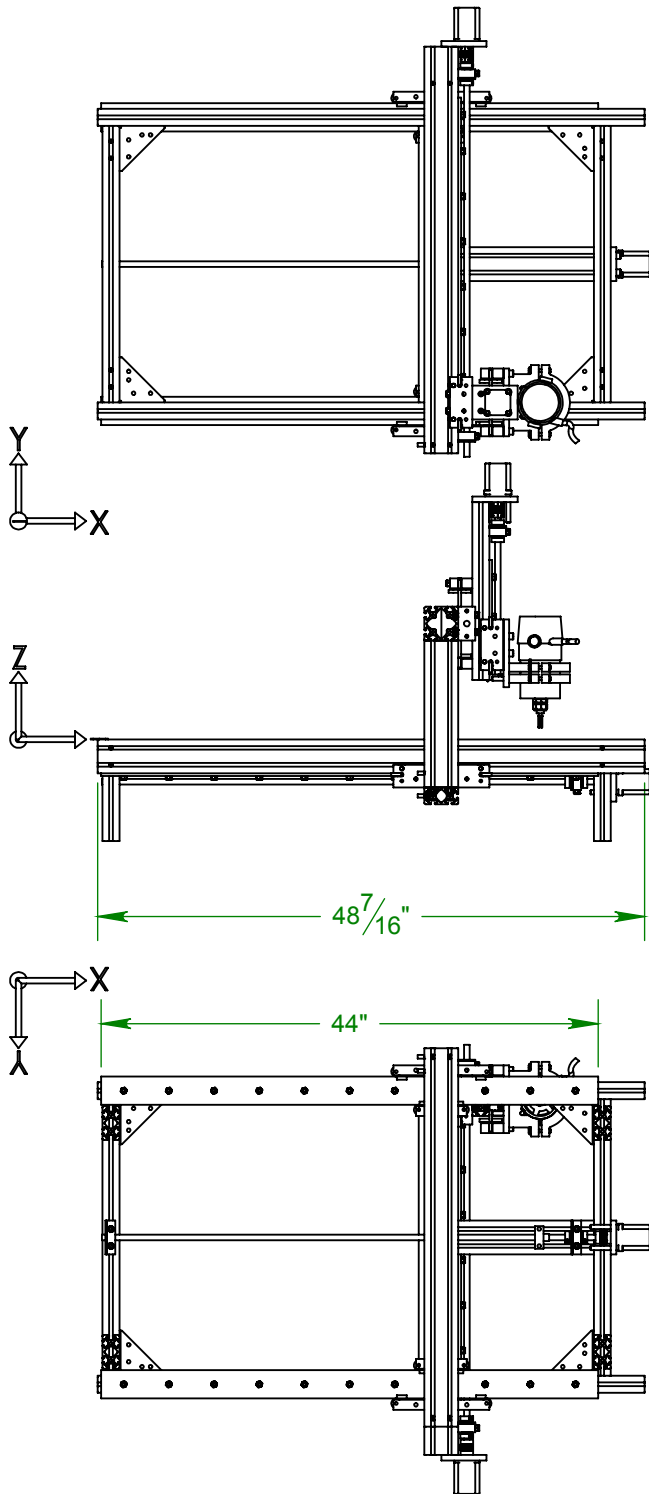
DRAWN BY: P.F.  
 DATE: 12/14/2010  
 TOLERANCE:  
 FRACTIONAL  $\pm 1/32''$   
 DECIMAL  $\pm .015$   
 ANGULAR  $\pm 1^\circ$

CAD Drawing by Paul Flores is licensed under a Creative Commons Attribution 3.0 Unported License. Based on a work at paul-flores.com. Permissions beyond the scope of this license may be available at www.paul-flores.com.  
 MATERIAL:  
 ---  
 PROJECT:  
 80/20 CNC ROUTER



WWW.  
**PAUL-FLORES.COM**

DESCRIPTION:  
**ASSEMBLED FRAME**



Print Date: 7/6/2011

DRAWN BY: P.F. DATE: 12/14/2010

CAD Drawing by Paul Flores is licensed under a Creative Commons Attribution 3.0 Unported License. Based on a work at paul-flores.com. Permissions beyond the scope of this license may be available at www.paul-flores.com.

TOLERANCE:  
 FRACTIONAL  $\pm 1/32$ "  
 DECIMAL  $\pm .015$   
 ANGULAR  $\pm 1^\circ$

MATERIAL:  
 ---

PROJECT:  
 80/20 CNC ROUTER



WWW.  
**PAUL-FLORES.COM**

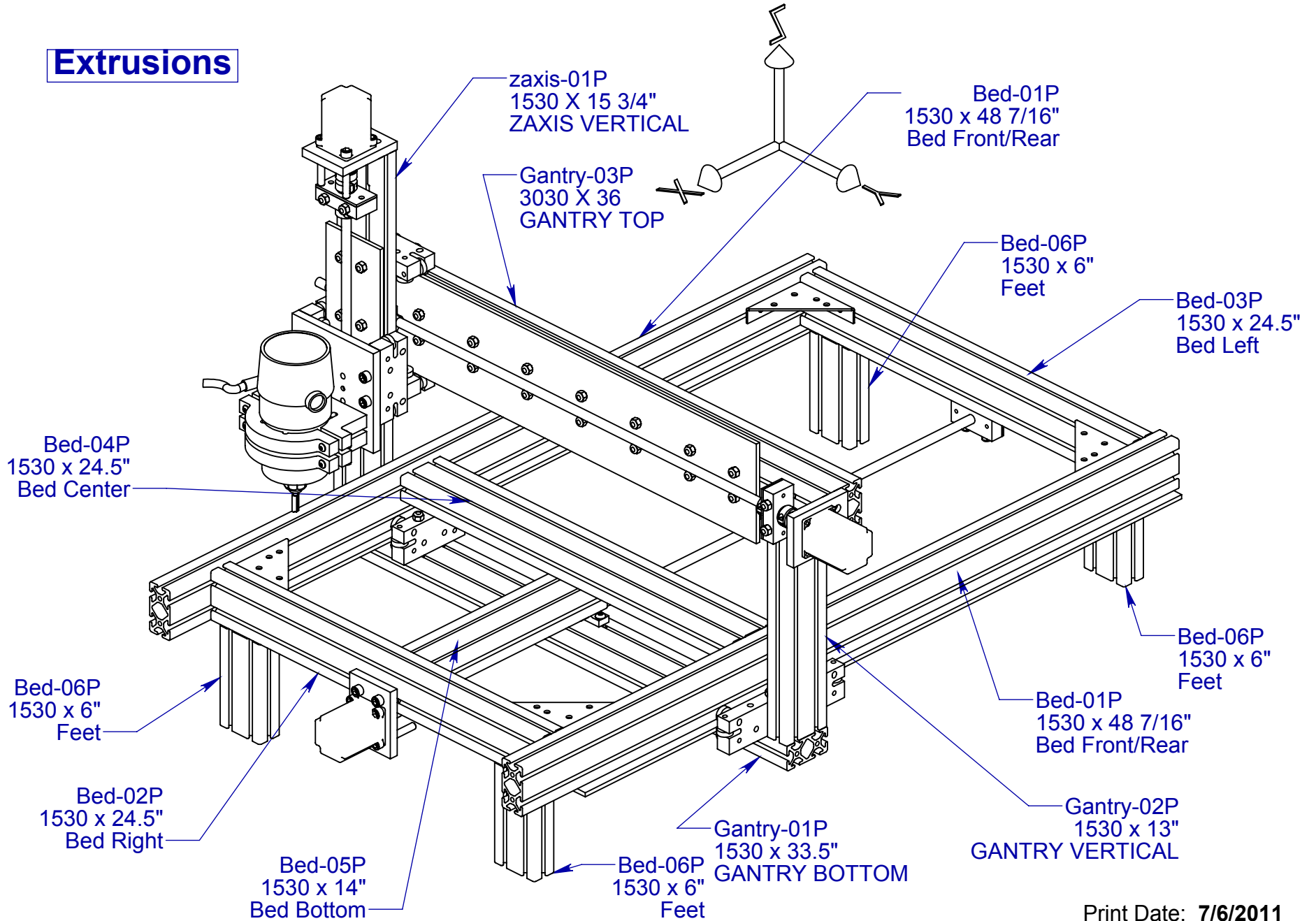
DESCRIPTION:  
 ASSEMBLED FRAME

PART NO.: Paulos CNC Router-1

REV.:

SHEET: 3 of 5

# Extrusions



Print Date: 7/6/2011

DRAWN BY: P.F.  
 DATE: 12/14/2010  
 TOLERANCE:  
 FRACTIONAL ± 1/32"  
 DECIMAL ± .015  
 ANGULAR ± 1°

CAD Drawing by Paul Flores is licensed under a Creative Commons Attribution 3.0 Unported License. Based on a work at paul-flores.com. Permissions beyond the scope of this license may be available at www.paul-flores.com.

MATERIAL:

---

PROJECT: 80/20 CNC ROUTER



WWW.  
**PAUL-FLORES.COM**

DESCRIPTION: ASSEMBLED FRAME

PART NO.: Paulos CNC Router-1

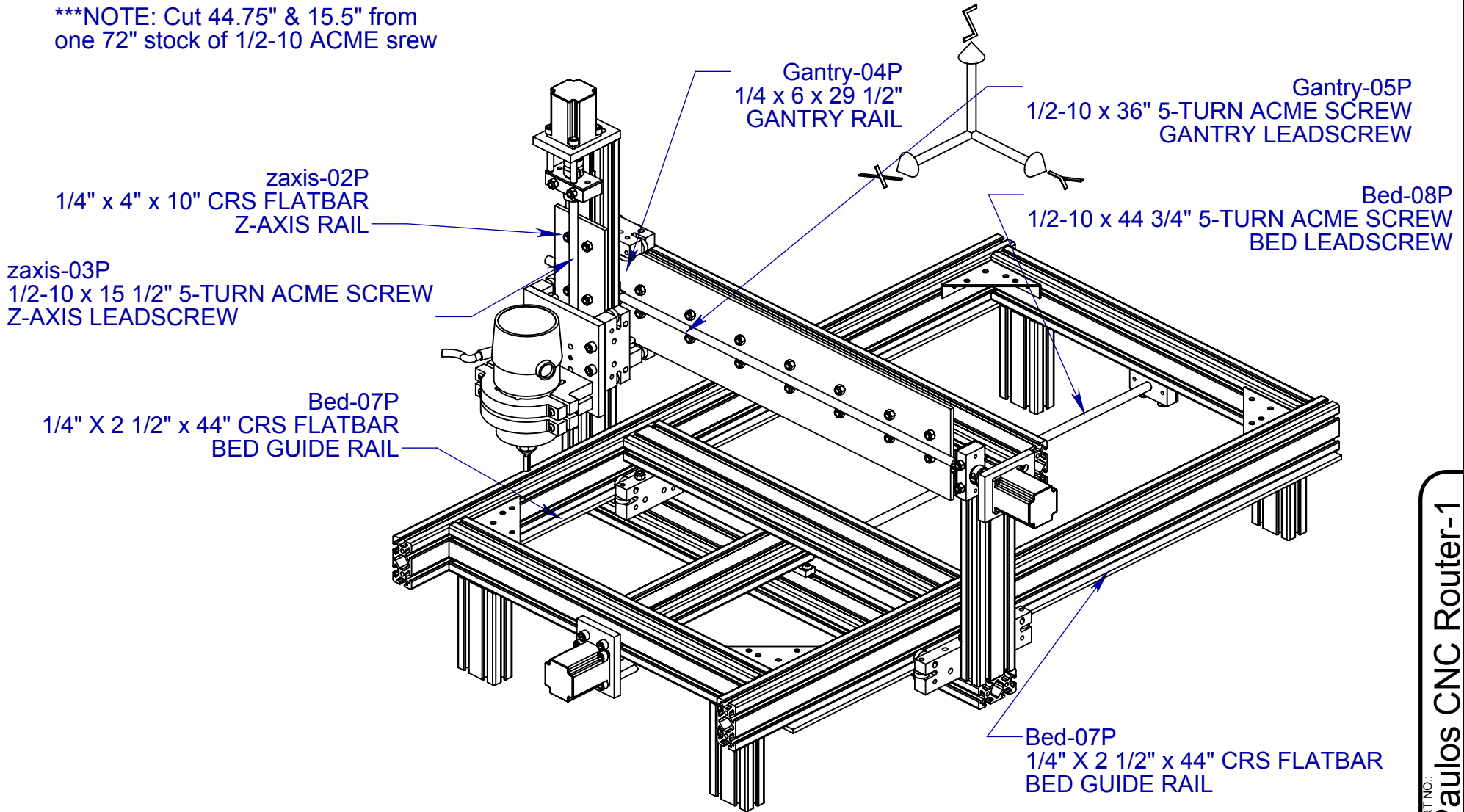
REV.:

SHEET: 4 of 5

LEADSCREWS:  
 44.75  
 15.5  
 36

**Flatbar and 1/2-10 x 5 Turn ACME screw**

\*\*\*NOTE: Cut 44.75" & 15.5" from one 72" stock of 1/2-10 ACME srew



Print Date: 7/6/2011

DRAWN BY: P.F.  
 DATE: 12/14/2010  
 TOLERANCE:  
 FRACTIONAL ± 1/32"  
 DECIMAL ± .015  
 ANGULAR ± 1°

CAD Drawing by Paul Flores is licensed under a Creative Commons Attribution 3.0 Unported License. Based on a work at paul-flores.com. Permissions beyond the scope of this license may be available at www.paul-flores.com.  
 MATERIAL: ---  
 PROJECT: 80/20 CNC ROUTER

**F** **WWW.PAUL-FLORES.COM**  
 DESCRIPTION: **ASSEMBLED FRAME**

PART NO.: Paulos CNC Router-1  
 REV.:  
 SHEET: 5 of 5