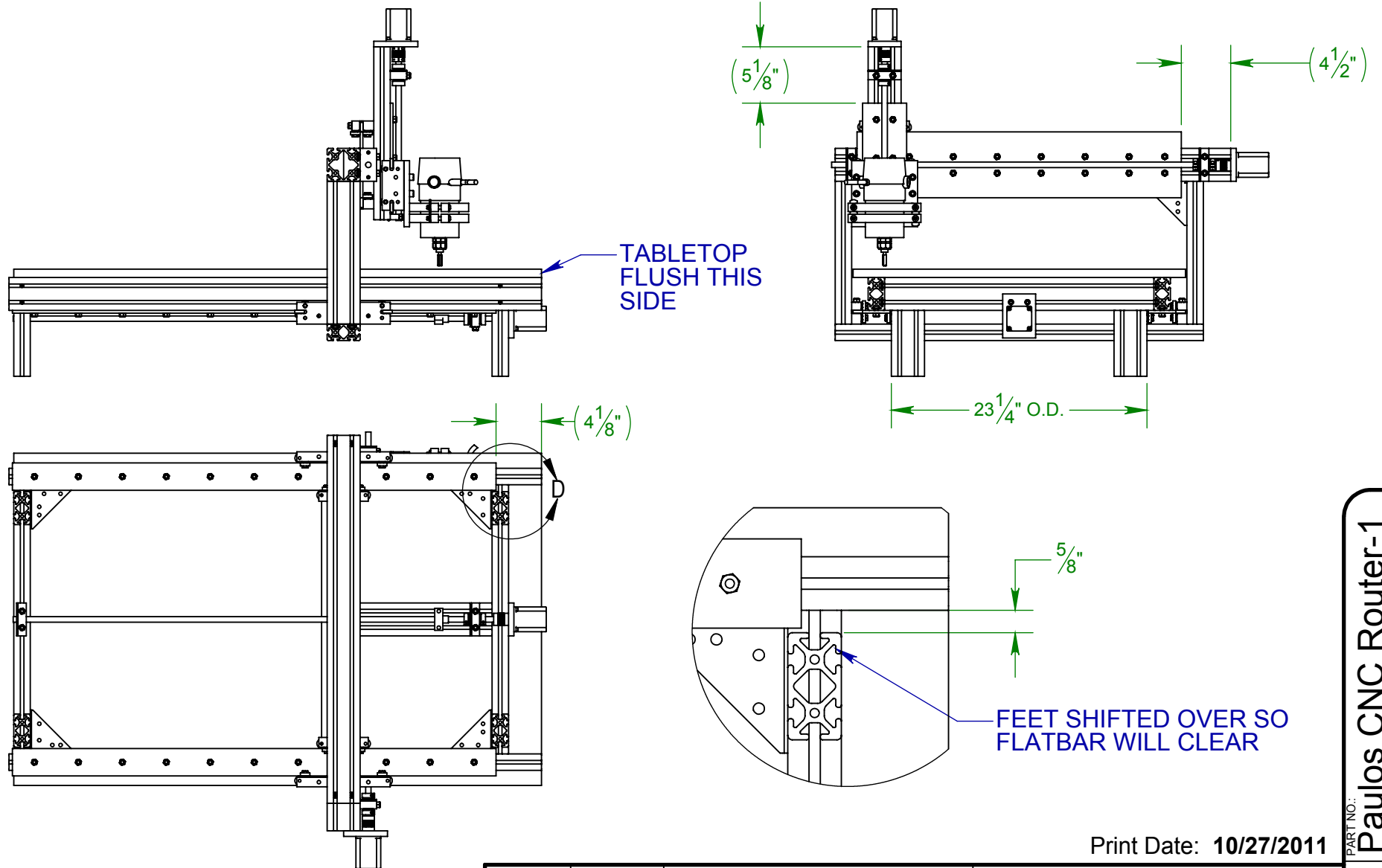


NOTE:
 HERE ARE SOME STARTING POINTS ON WHERE TO PLACE
 THE FLATBAR FOR MAXIMUM ROUTER BIT COVERAGE.



Print Date: 10/27/2011

DRAWN BY: P.F.
 DATE: 12/14/2010
 TOLERANCE:
 FRACTIONAL $\pm 1/32"$
 DECIMAL $\pm .015$
 ANGULAR $\pm 1^\circ$

CAD Drawing by Paul Flores is licensed under a Creative Commons Attribution 3.0 Unported License. Based on a work at paul-flores.com. Permissions beyond the scope of this license may be available at www.paul-flores.com.
 MATERIAL: ---
 PROJECT: 80/20 CNC ROUTER

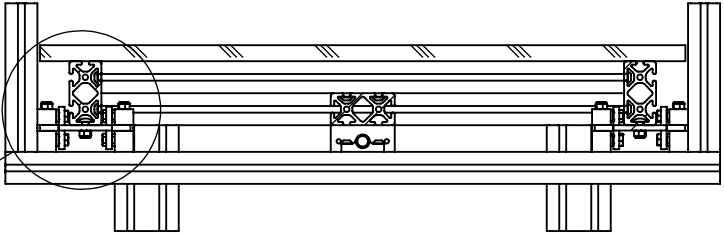
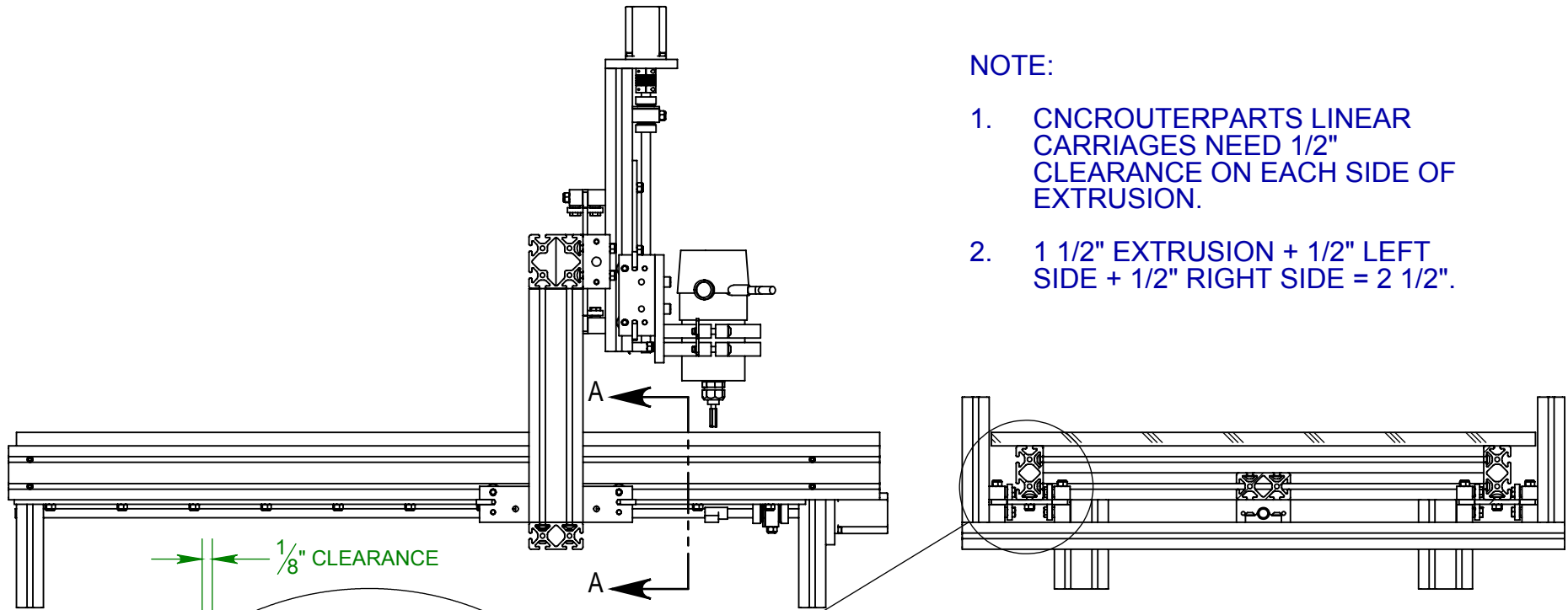
SCALE 1 : 4

WWW.PAUL-FLORES.COM
 DESCRIPTION: ASSEMBLED FRAME

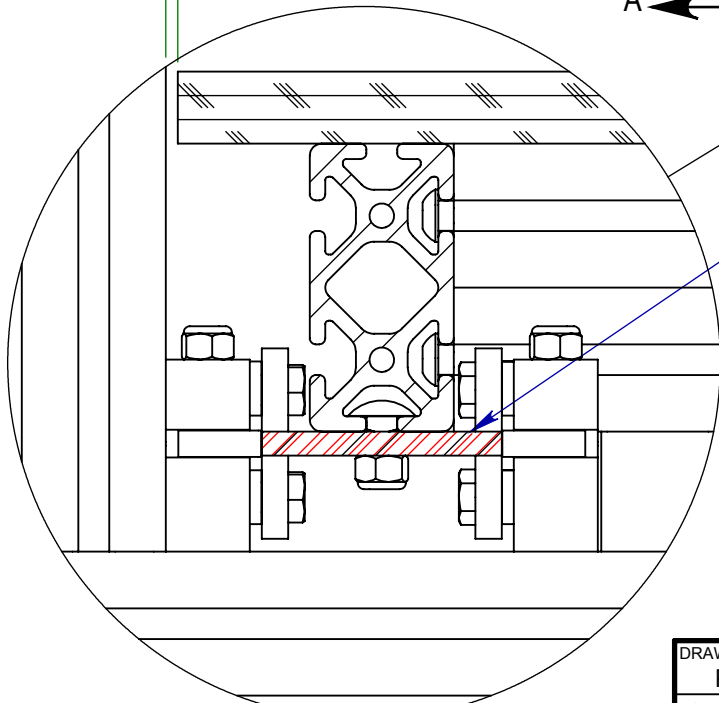
PART NO.: Paulos CNC Router-1
 REV.:
 SHEET: 1 of 6

NOTE:

1. CNCROUTERPARTS LINEAR CARRIAGES NEED 1/2" CLEARANCE ON EACH SIDE OF EXTRUSION.
2. 1 1/2" EXTRUSION + 1/2" LEFT SIDE + 1/2" RIGHT SIDE = 2 1/2".



SECTION A-A



2 1/2" WIDE FLATBAR

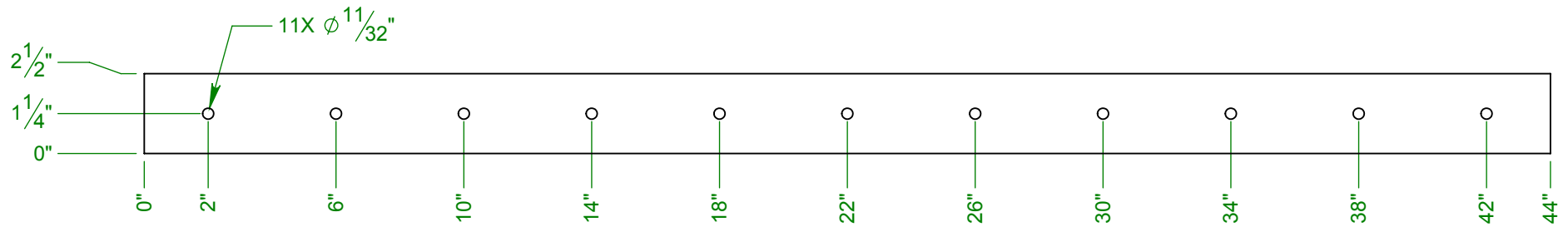
DETAIL B
SCALE 1 : 2

Print Date: 10/27/2011

DRAWN BY: P.F.	DATE: 12/14/2010
TOLERANCE: FRACTIONAL $\pm 1/32"$ DECIMAL $\pm .015$ ANGULAR $\pm 1^\circ$	

CAD Drawing by Paul Flores is licensed under a Creative Commons Attribution 3.0 Unported License. Based on a work at paul-flores.com. Permissions beyond the scope of this license may be available at www.paul-flores.com.	
MATERIAL: ---	
PROJECT: 80/20 CNC ROUTER	

F	WWW.
	PAUL-FLORES.COM
DESCRIPTION: ASSEMBLED FRAME	



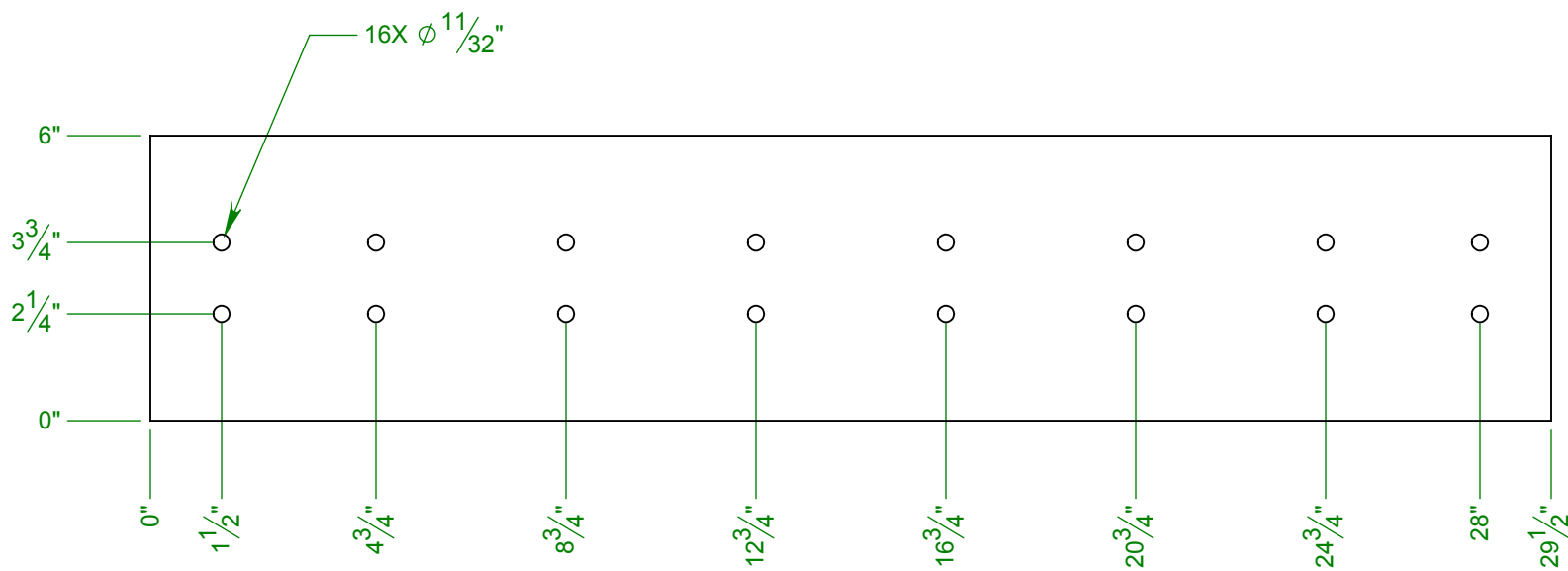
Print Date: 10/27/2011

DRAWN BY: P.F.	DATE: 12/14/2010
TOLERANCE: FRACTIONAL $\pm 1/32"$ DECIMAL $\pm .015$ ANGULAR $\pm 1^\circ$	

CAD Drawing by Paul Flores is licensed under a Creative Commons Attribution 3.0 Unported License. Based on a work at paul-flores.com. Permissions beyond the scope of this license may be available at www.paul-flores.com.	
MATERIAL: 1/4" X 2 1/2" x 44" CRS FLAT BAR	
PROJECT: 80/20 CNC ROUTER	

	<p>WWW. PAUL-FLORES.COM</p>
	<p>DESCRIPTION: BED GUIDE RAIL</p>

PART NO.: **Bed-07P-1**
 REV.:
 SHEET: **3 of 6**



Print Date: 10/27/2011

DRAWN BY: P.F. DATE: 12/14/2010

CAD Drawing by Paul Flores is licensed under a Creative Commons Attribution 3.0 Unported License. Based on a work at paul-flores.com. Permissions beyond the scope of this license may be available at www.paul-flores.com.

TOLERANCE:
 FRACTIONAL $\pm 1/32$ "
 DECIMAL $\pm .015$
 ANGULAR $\pm 1^\circ$

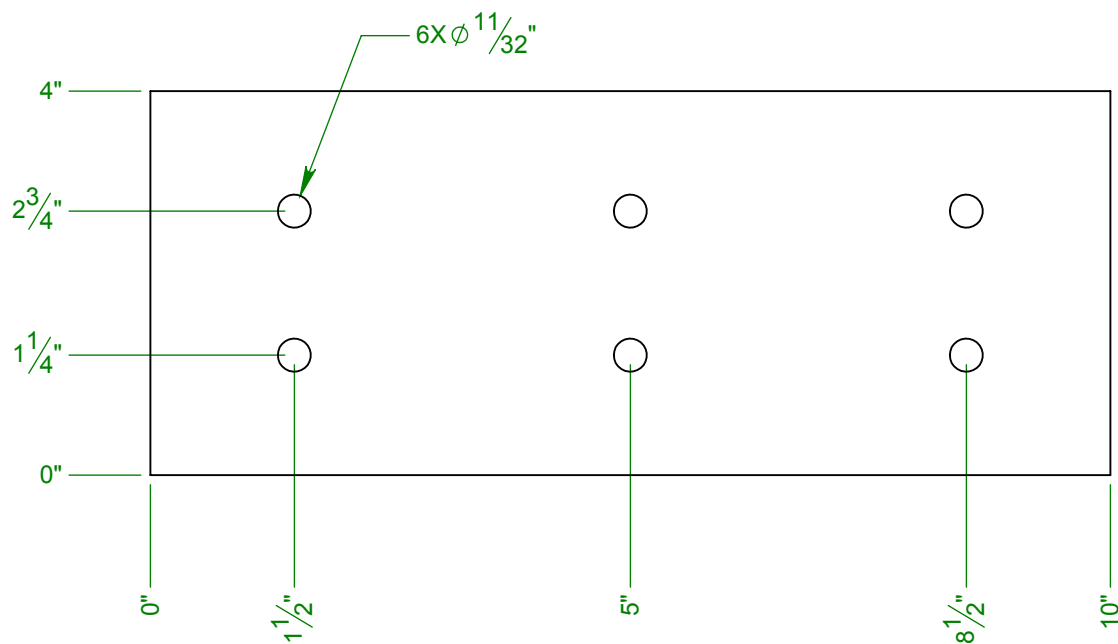
MATERIAL:
1/4 x 6 x 29 1/2"

PROJECT:
80/20 CNC ROUTER




**WWW.
 PAUL-FLORES.COM**

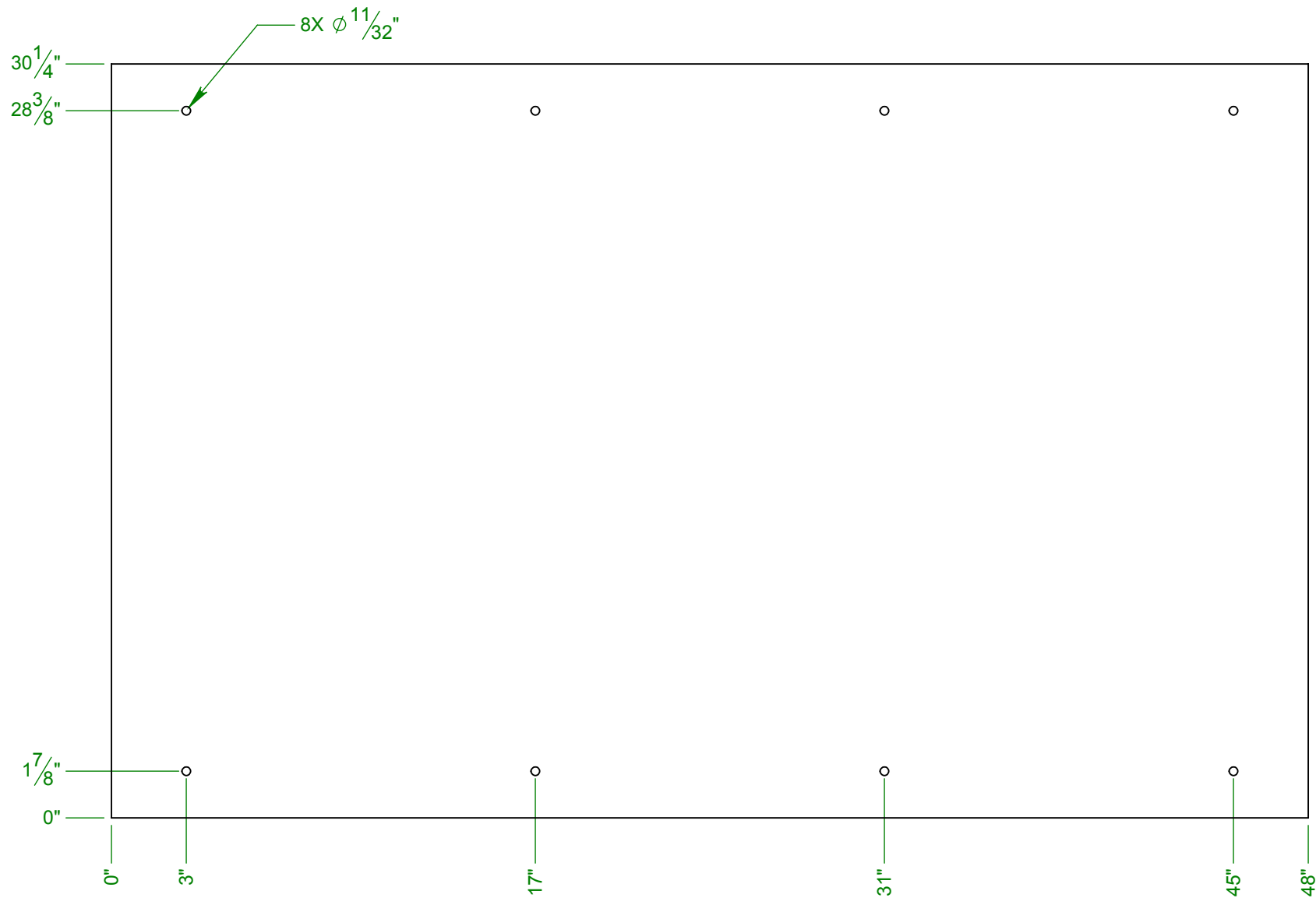
DESCRIPTION:
GANTRY RAIL



Print Date: 10/27/2011

DRAWN BY: P.F.	DATE: 12/14/2010	CAD Drawing by Paul Flores is licensed under a Creative Commons Attribution 3.0 Unported License. Based on a work at paul-flores.com. Permissions beyond the scope of this license may be available at www.paul-flores.com.	 WWW. PAUL-FLORES.COM
TOLERANCE: FRACTIONAL $\pm 1/32$ " DECIMAL $\pm .015$ ANGULAR $\pm 1^\circ$			
PROJECT: 80/20 CNC ROUTER		DESCRIPTION: Z-AXIS RAIL	

PART NO.: **Zaxis-02P-1**
 REV.:
 SHEET: **5 of 6**



Print Date: 10/27/2011

DRAWN BY: P.F. DATE: 12/14/2010

CAD Drawing by Paul Flores is licensed under a Creative Commons Attribution 3.0 Unported License. Based on a work at paul-flores.com. Permissions beyond the scope of this license may be available at www.paul-flores.com.

TOLERANCE:
 FRACTIONAL \pm 1/32"
 DECIMAL \pm .015
 ANGULAR \pm 1°

MATERIAL:
3/4" MDF

PROJECT:
 80/20 CNC ROUTER



**WWW.
 PAUL-FLORES.COM**

DESCRIPTION:
TABLE TOP